

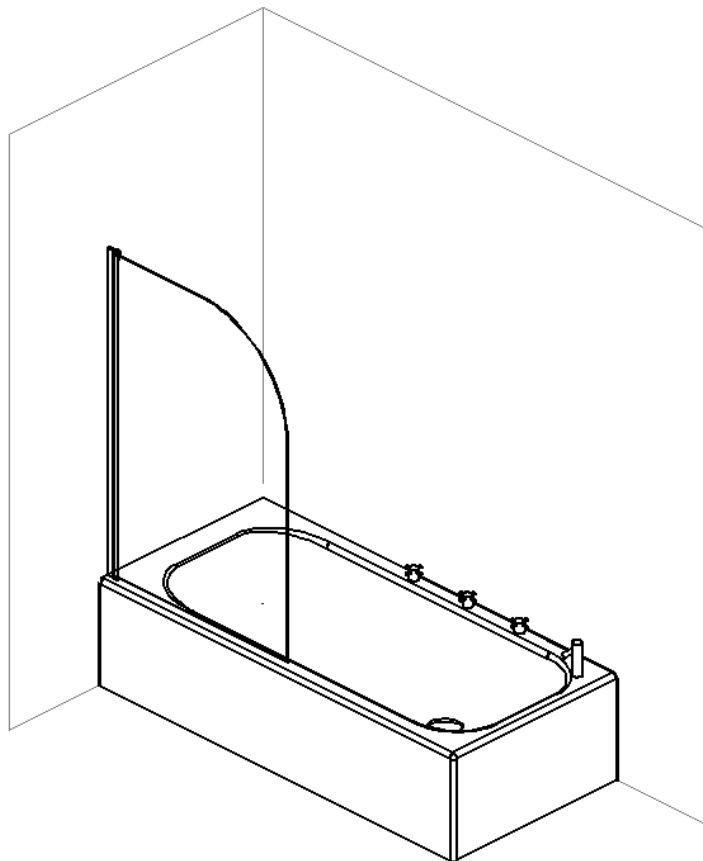
USER MANUAL



Thank you for choosing Better Bathrooms.
Please read this manual before installing your product
and keep for future reference.

better 
bathrooms

Taurus Hinged 6mm Chrome Bath Screen BeBa_28038



- **Multi-person assembly**
- **Tools required**
- **We always recommend using professional tradespeople to install your product**

2021.8.23

Congratulations on your purchase

And welcome to our growing gang of savvy shoppers

We're on a mission to bring you extraordinary bathroom products, for less. From modern to traditional style ceramics, plus the gorgeous fixtures, fittings and furniture to match. So, you can fall in love with your space every single day.

As one of the UK's largest independent bathroom stores, we've received countless awards; including the National Business Awards UK, the Digital Entrepreneur Awards and being placed on The Sunday Times Fast Track 100.

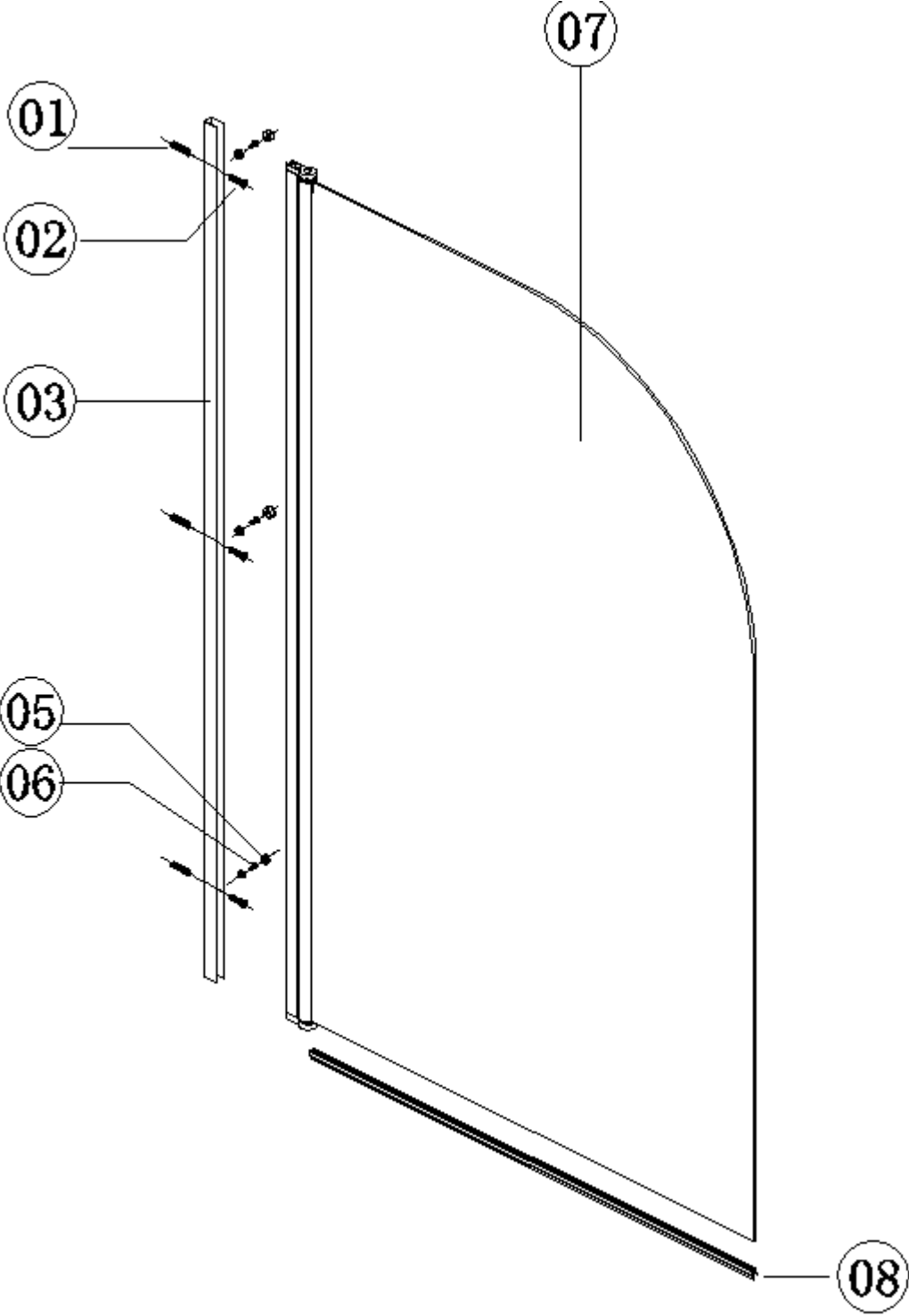
We hope your new product goes above and beyond your expectations. However, should any problems occur, please:

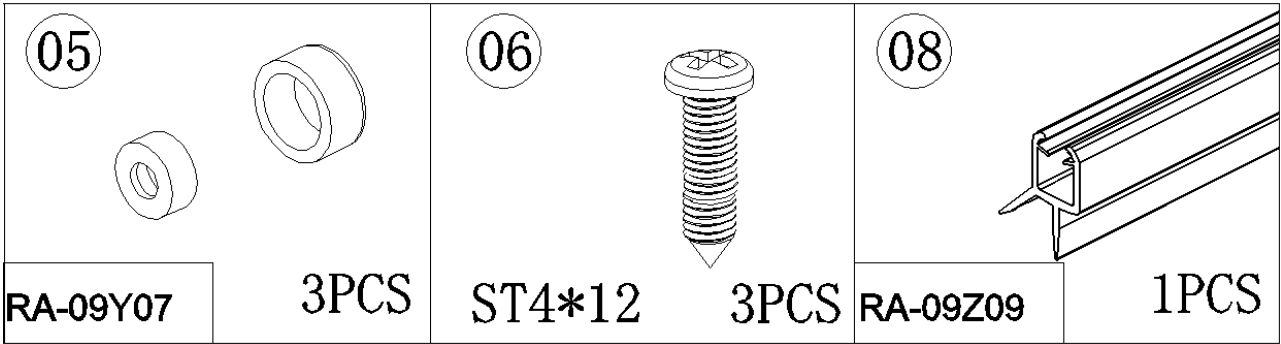
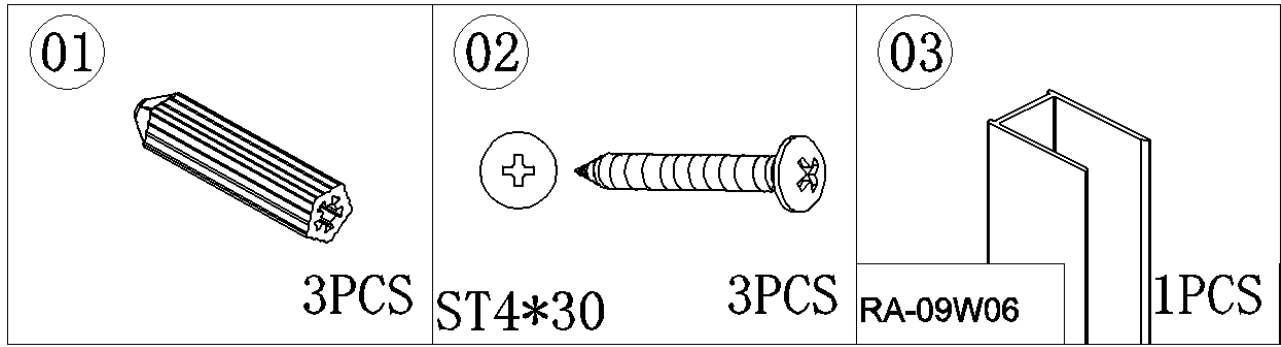
- log in to your account and contact our customer services team via your self-serve portal –betterbathrooms.com/Account/Login
- contact us via betterbathrooms.com/contact-us

Important information

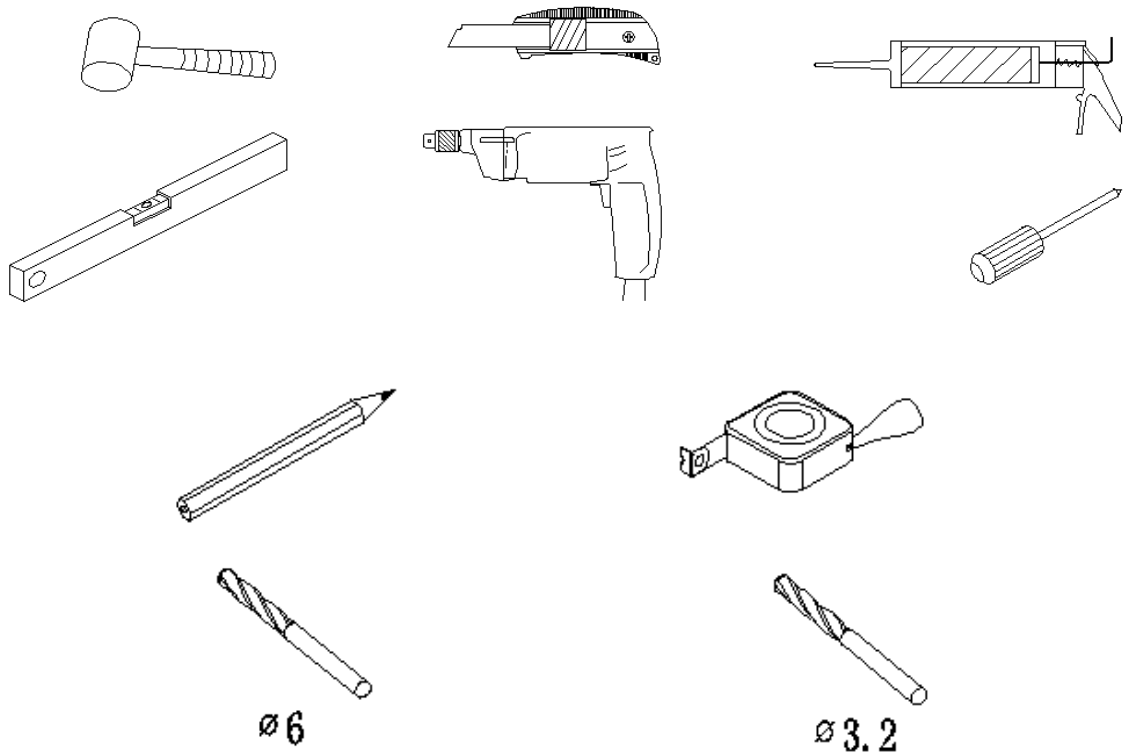
- Please read these instructions thoroughly and retain for future reference
- Manufactured to BS EN 14428
- Please check for pipes and cables before drilling
- Please check for damage prior to installation

Parts / Diagrams

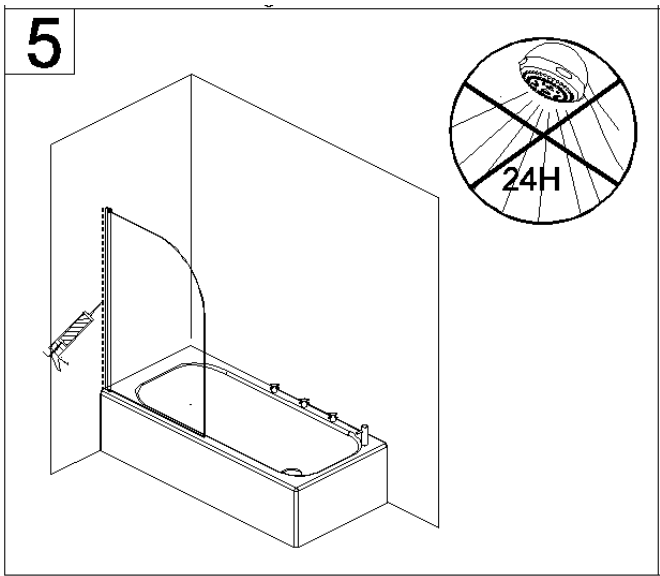
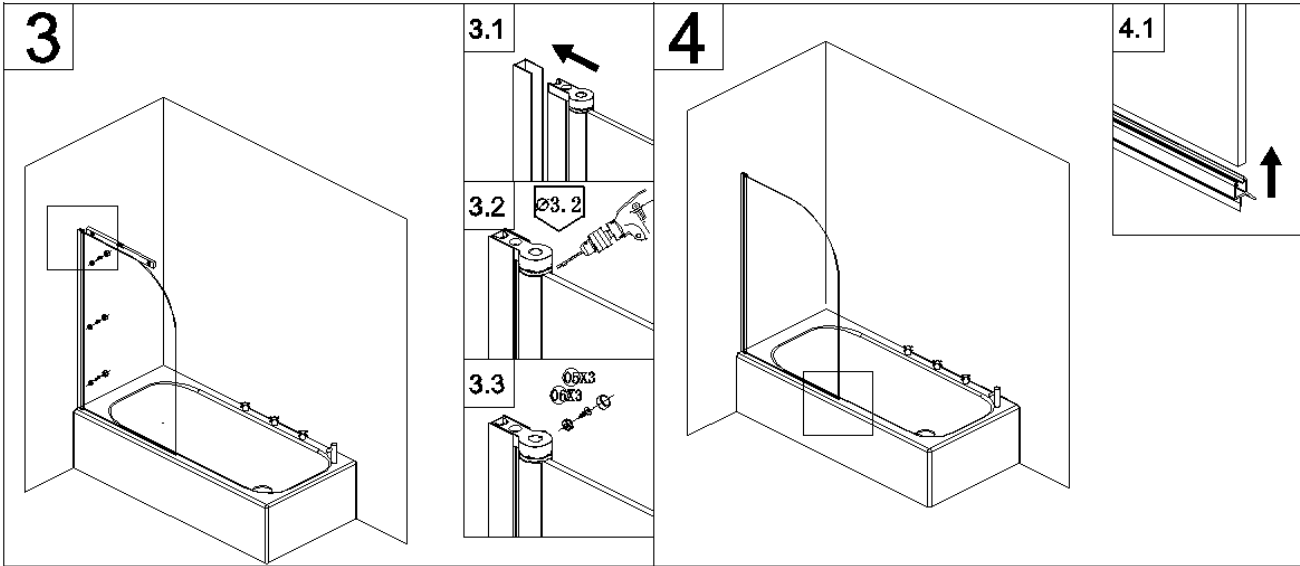
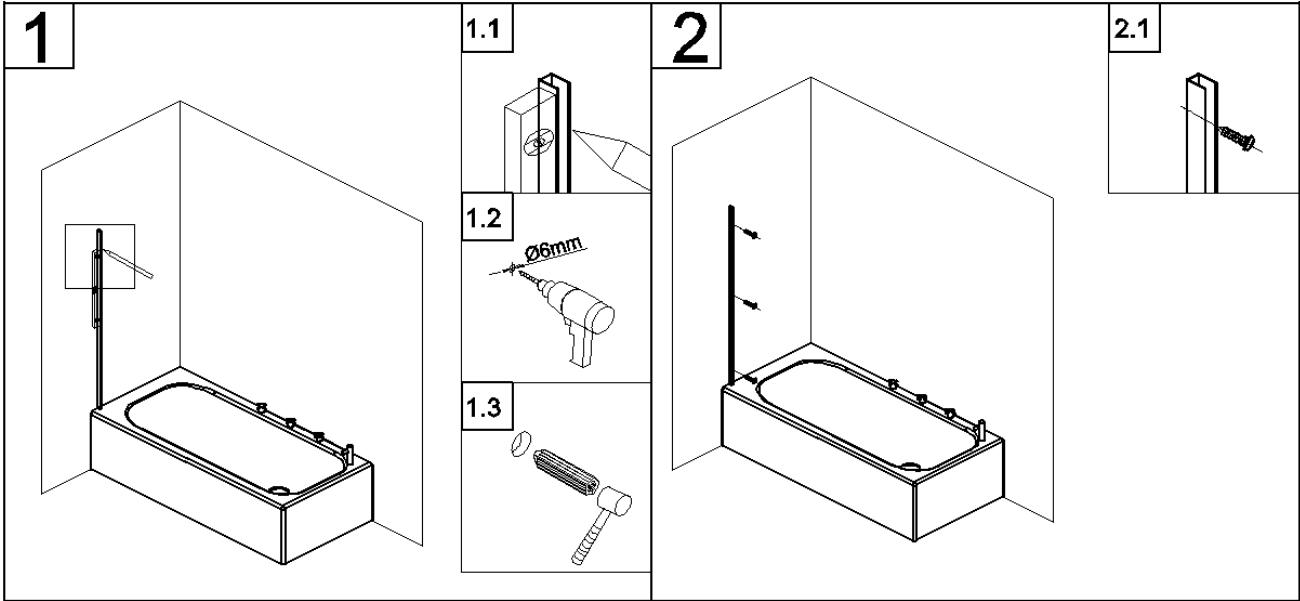




**Tools required
(Tools not provided)**



Installation



Cleaning

All parts of the product shall be cleaned with a cloth soaked in neutral detergent soapy water, Please do not use sharp tools such as blades to clean the shower door.

Please do not use strong detergent, alcohol or any abrasive cleaning substances to clean the shower door if the stain is serious, a low concentration of vinegar can be used, but must be rinsed with clean water afterwards.

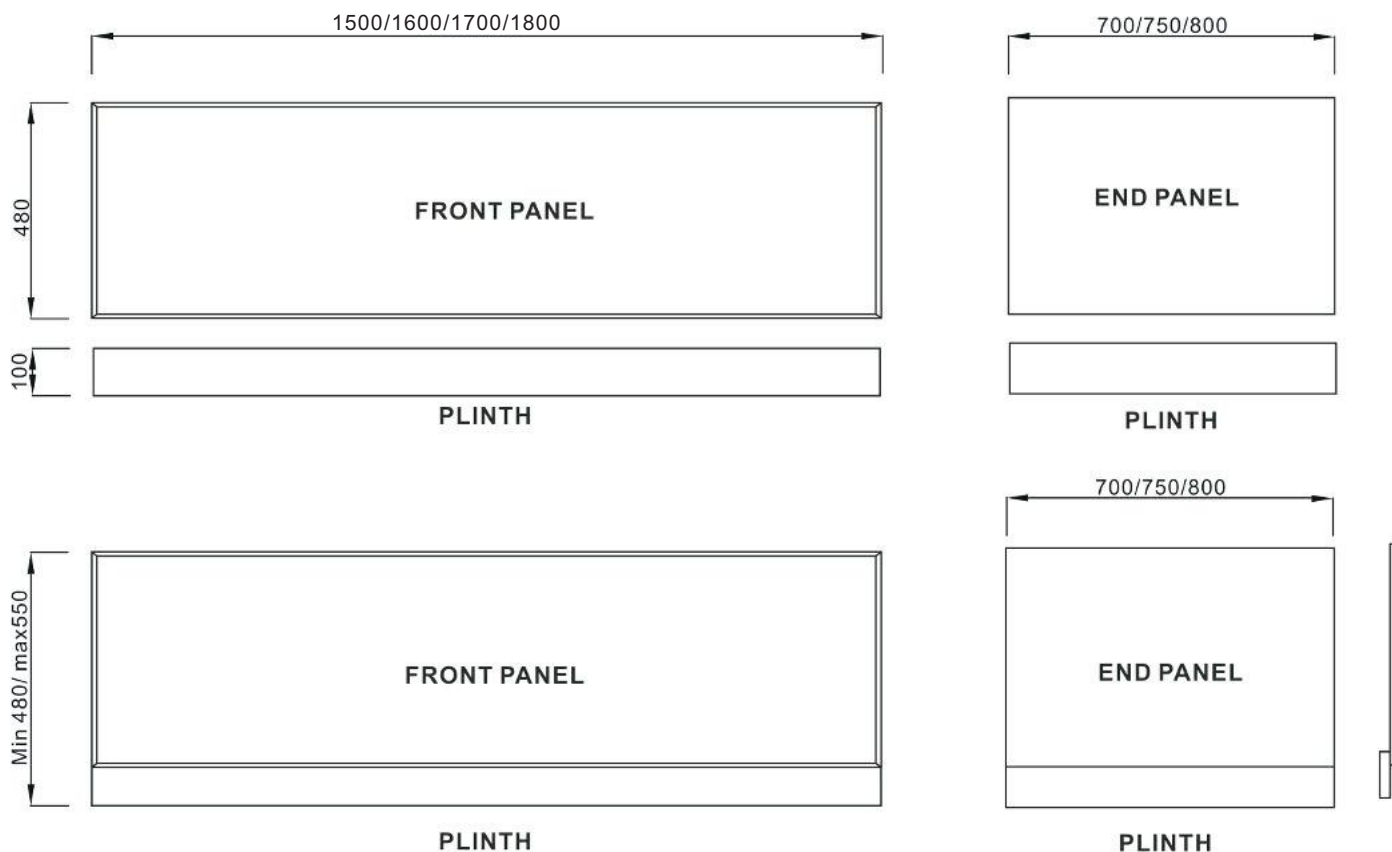
For more information

- visit betterbathrooms.com
- email customerservices@buyitdirect.co.uk
- call 0330 390 3062
- write to Trident Business Park, Neptune Way, Huddersfield, HD2 1UA

better 
bathrooms

Part of the BuyItDirect Group

STANDARD BATH PANEL FITTING INSTRUCTION



1. MEASURE FROM THE UNDERSIDE OF THE BATH RIM TO THE FLOOR TO ESTABLISH THE HEIGHT OF THE BATH PANEL REQUIRED.

2. DRILL EQUALLY SPACED HOLES ALONG THE PLINTH AND SCREW TO THE BOTTOM EDGE OF THE MAIN PANEL AT THE DESIRED HEIGHT.

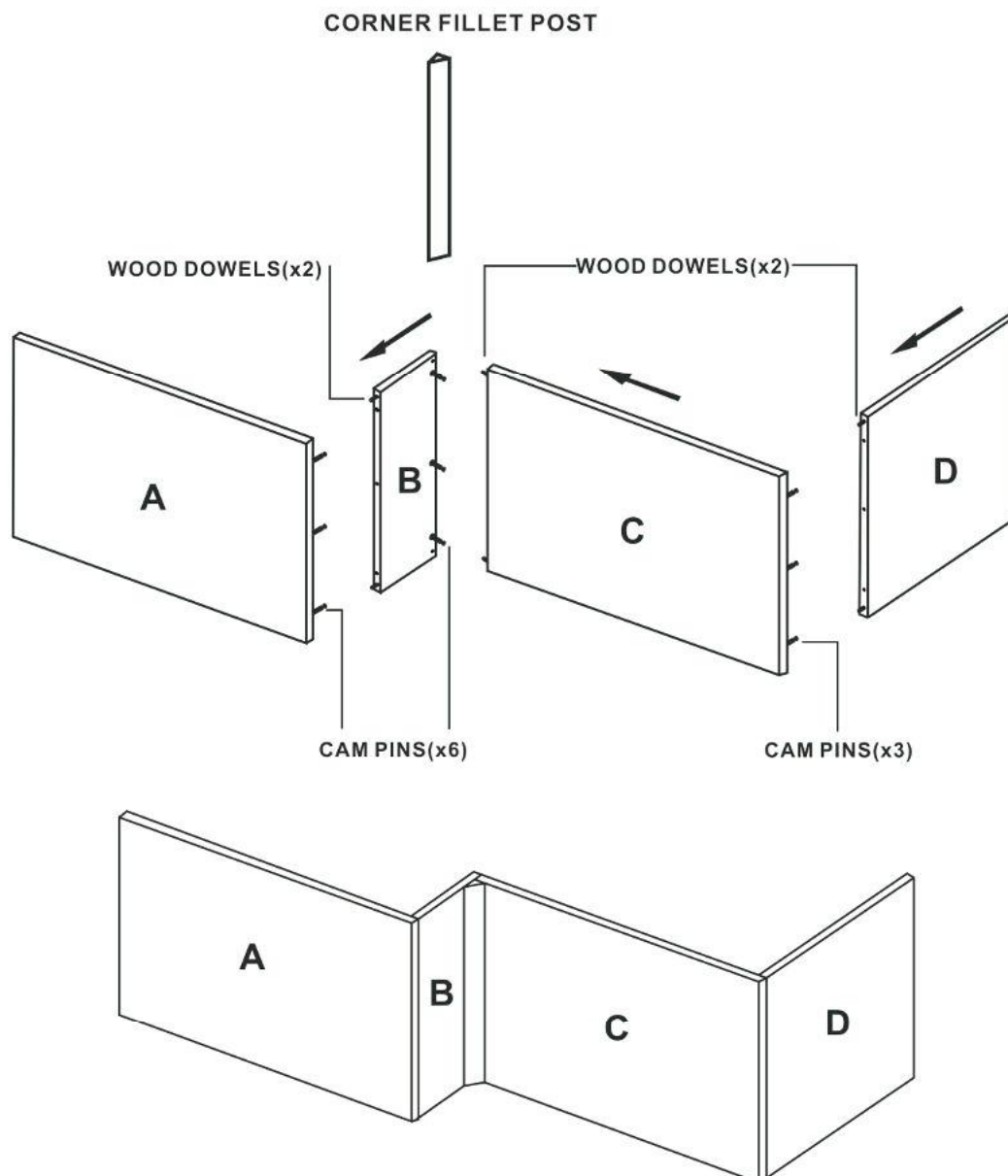
3. IT IS ADVISABLE THAT YOU BUILD A FRAME OR FIT BATTENS ALONG THE FLOOR AND DOWN THE WALL SIDES TO SUPPORT THE PANEL.

4. WHEN AN END PANEL IS USED, IT IS NECESSARY TO TRIM THE PANEL & PLINTH TO LENGTH. ANY TRIMMING SHOULD BE DONE AT THE WALL END TO ENSURE THAT THE FINISHED EDGE IS AT THE VISIBLE CORNER. THE FRONT AND END PANELS ARE FASTENED TOGETHER USING THE SCREWS & CORNER BRACKETS PROVIDED.

5. ANY CUT OR TRIMMED EDGES MUST BE SEALED AGAINST WATER INGRESS. IT IS ALSO ADVISABLE TO SEAL ALL THE OUTER EDGES OF THE PANELS AND IN PARTICULAR THE UNDERSIDE OF THE BATH LIP WHERE THE PANEL MEETS.

SQUARE SHOWER BATH PANEL ASSEMBLY INSTRUCTIONS

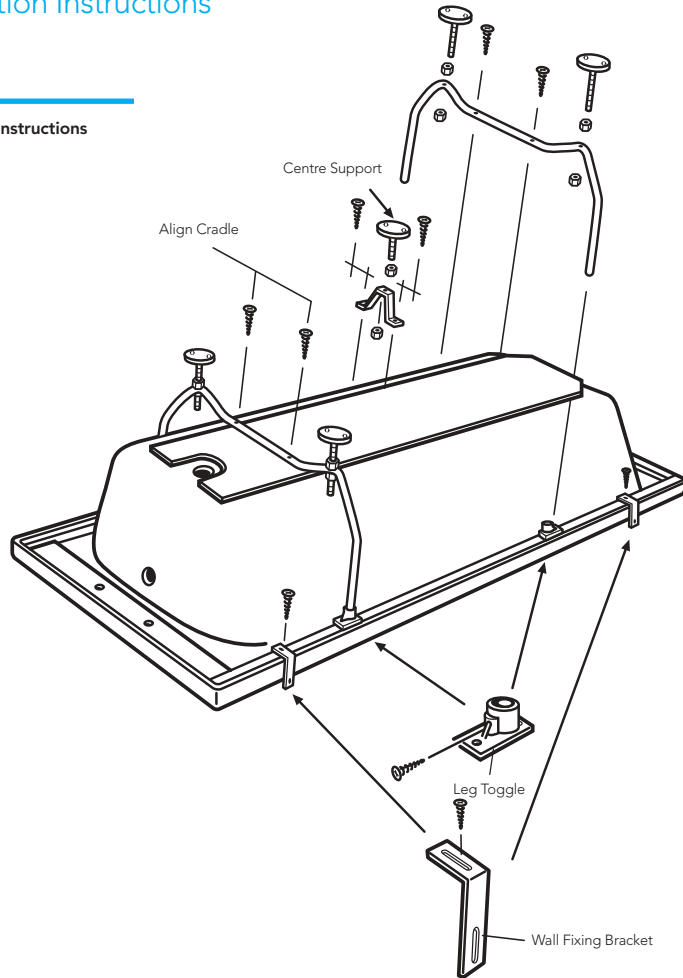
1. Push the Cams into the pre-drilled holes in the back of panels A,B,C and D as shown below.
2. Screw into place the Cam pins as shown.
3. Push and glue in place the wooden dowels.
4. Glue all edges that are to be butted together, being careful not to get any adhesive on the decorative surfaces. Push the panels together one at a time and tighten by turning the Cams in a clockwise direction.
(any excess adhesive must be removed immediately with a damp cloth)
5. Fit the Corner Post between panels B and C. This can be fitted after the Bath has been installed if required.
6. Instruction shows the panel assembly for a L/H shower bath. For a R/H version assemble the panels in reverse.



Bath Installation Instructions



Bath fitting instructions



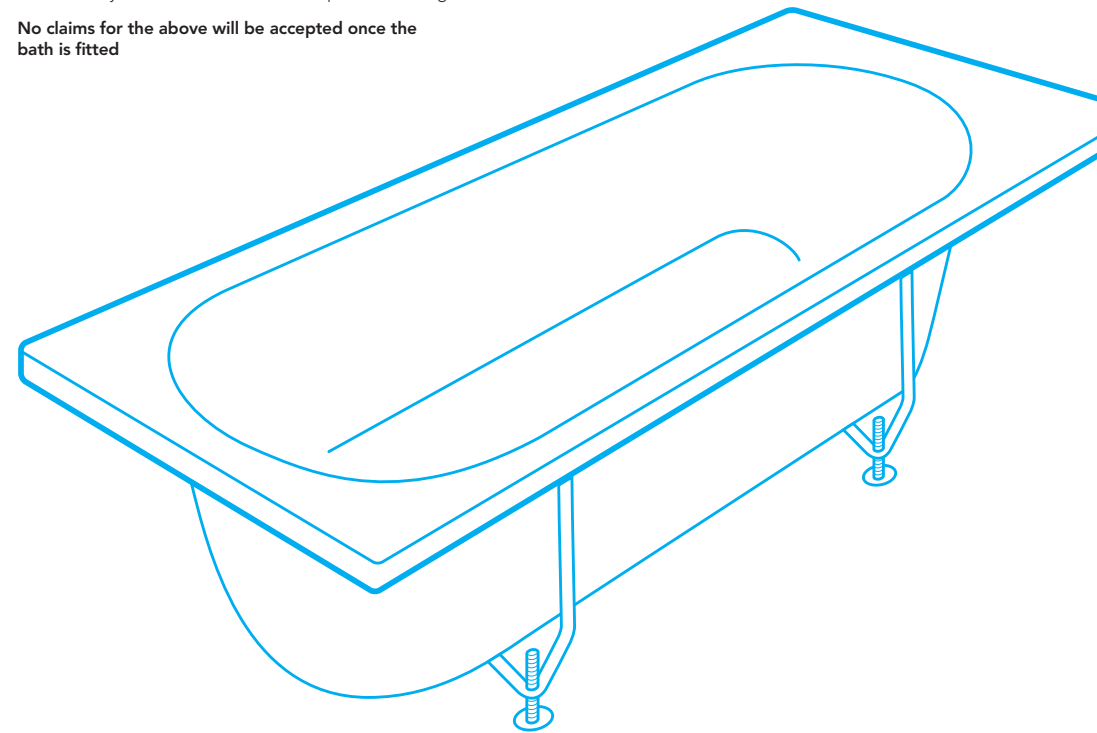
1. Remove all packaging including the polyethylene film, which covers the entire bath.
2. Check that colour match is acceptable and that there is no damage on the bath that may have occurred during transit. This can only be done if the film is removed completely.
3. Remove the two tubular cradle legs from the bath frame (keep the screws for instruction 5).
4. If required using the 23mm fixing screws attach the black housing socket to the bath frame.
5. Align the cradle and hand screw directly into the baseboard using the 32mm (1 ¼") screws from instructions 3. **YOU MUST CHECK THE SCREW LENGTH** – Should the bath have an 'H' frame fitted to the baseboard align and secure cradle to it. If the cradle stands proud of the baseboard it can be shortened using a hacksaw.
6. Once the cradles have been secured to the baseboard of the bath secure them into the legs toggles with the self tapping screw provided making sure the self tapping screw pierces the steel leg. This will be easier if pre-drilled with a 3.2mm bit.
7. Secure the adjustable M10 feet to the cradles using M10 nuts provided.
8. Secure the adjustable centre support using screw and nuts provided to the centre of the baseboard (or 'H' frame).
9. With the bath in the upright position set top face level using threaded adjustment of feet and lock-nuts. When a panel is to be fitted set bath height to height of panel.
10. **CHECK THAT THE BATH RIM IS LEVEL.**
11. Before the final fixing of the bath, fit tap and waste fittings using a suitable sealing compound. When complete place bath into position, re-check levels and make any final adjustments necessary. Finally secure the feet to the floor and the wall brackets to the wall. Movement may occur if not fitted correctly.

Quality Acrylic Baths
Manufactured in the UK

Bath Installation Instructions

- Prior to fitting your bath, carefully remove all the packaging and film from the bath and examine the bath for damage and suitability of colour match.
- Check the panel fit and match prior to installation.
- Note instruction 10 before final fixing.
- Any refixing costs or claims for wrong colour match, and/or any other faults will not be accepted after fixing.

No claims for the above will be accepted once the bath is fitted



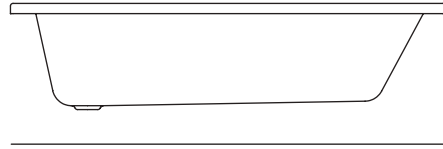
25
Year
Guarantee

Bath

Installation Instructions

Before you start

- Before fixing remove ALL protective covering and examine carefully. The polythene film must be removed in full and the bath checked for any visible damage.
- Unpack and check the product is complete and undamaged.
- Have the correct tools available.

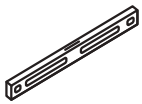





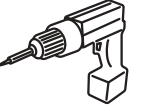



Safety

- Handle bath with care.
- This Product is heavy and requires two people to carry.
- When drilling walls, check first for hidden pipes and cables.
- Use safety eyewear when drilling.
- Keep small parts away from children.

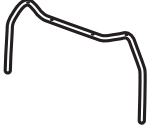










Tools required

Please remove all protective covering and examine carefully. Please notify the retailer immediately of any damage or faults. The manufacturer cannot be held responsible for any installation costs that may arise from damaged or faulty product being installed. The guarantee does NOT cover impact related damage. Please dispose all packaging with due regard to the environment.

| | | |
|--|--|---|
| <p>Spirit level</p>  | <p>Screwdriver</p>  | <p>Tape measure</p>  |
| <p>Pencil</p>  | <p>Junior hacksaw</p>  | <p>Silicon gun & sealant</p>  |
| <p>Power drill</p>  | <p>Drill bit*</p>  3mm dia. HSS | |

* Ensure drill bit used is suitable for wall surface

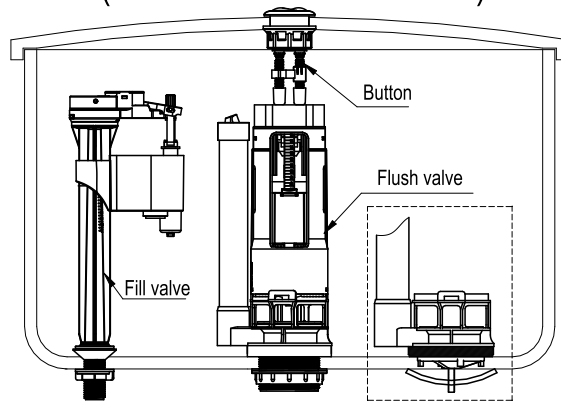
Parts provided

| | | |
|--|---|--|
| <p>Pair of tubular cradles</p>  <p>x1</p> | <p>Cradle housing socket</p>  <p>x4</p> | <p>M10 Feet</p>  <p>x4</p> |
| <p>M8 Foot</p>  <p>x1</p> | <p>Centre foot bracket</p>  <p>x1</p> | <p>M10 Nuts</p>  <p>x8</p> |
| <p>M8 Nuts</p>  <p>x2</p> | <p>Wall brackets</p>  <p>x2</p> | <p>Transport screws/ Cradle securing screws (32mm)</p>  <p>x4</p> |
| <p>Fixing screws (23mm) To attach cradle sockets (If required see instruction 4)</p>  <p>x8</p> | <p>No.8 Domed self-tapping screws (16mm) To secure: - Centre foot bracket - Wall bracket - Cradle to socket</p>  <p>x8</p> | |

We have taken great care to ensure that this product reaches you in perfect condition. However should any parts be damaged or missing please contact your point of purchase. This does not affect your statutory rights. In addition if you require replacement parts your point of purchase will be happy to assist.

INSTALLATION INSTRUCTION (A3014+C2112M+P2301)

I. The profile of installation

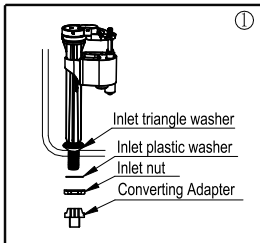


II. Steps

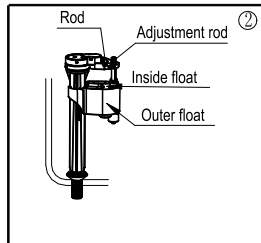
1>Preparation

Shut water off, flush toilet to empty tank, and remove old toilet fill valve.

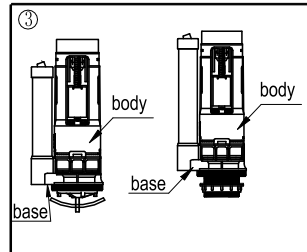
2>Installation



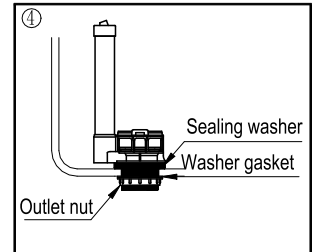
Take off the inlet nut and inlet washer, insert the inlet screw into the tank inlet hole, re-assemble the inlet nut and inlet washer, adjust the fill valve and tighten the nut.



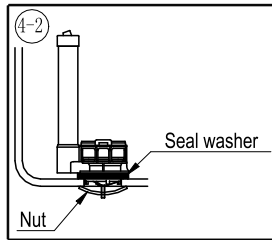
Water level adjustment: turn the adjustment screw by hand or with screw driver, move the float properly. The higher the float is, the higher the water level is.



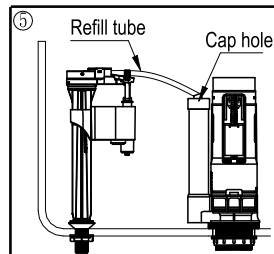
Turn the body and take it off the base



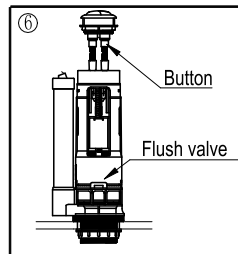
Screw outlet nut off the base, take off washer gasket, insert the base to outlet hole from inside tank, adjust the base properly, re-assemble the washer gasket and tighten outlet nut to make it fully match outlet hole.



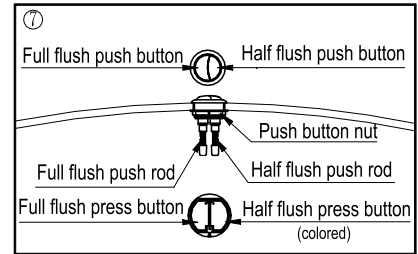
Screw the nut out of threads and take out of washers; Put the base into the tank hole and adjust to be the right position; And then screw the nut and seal washer into the threads, meanwhile keep the seal on the tank hole tightly.



Screw body on base, insert the other end of the refill tube into the cap hole on top of overflow tube.



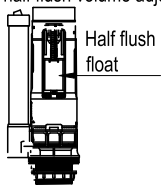
Insert the push button into the button hole, turn the push rod to the right length to make it touch the top of full/half flush button.



Adjust direction of push button, match full flush press button with full flush push rod, and half flush press button with half flush push rod, thread push button nut and tighten it.

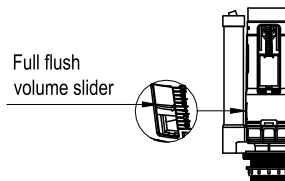
III. Flush volume adjustment

1. half flush volume adjustment



The position of half flush float sets half flush volume. The higher the half flush float is, the smaller the half flush volume is, and vice versa.

2. full flush volume adjustment



The opening area size defines full flush volume. Raise full flush volume slider to make the opening bigger and full flush volume smaller, and vice versa.

IV. Troubleshooting

1. flush valve

| No. | Issues | Possible Reasons | Solutions |
|-----|--------------------------------|--|--|
| 1 | Flush valve leaks | Flush valve is not positioned properly | Tighten the outlet nut |
| | | Bottom surface of base is scratched or sealing washer of flush valve is deformed | Replace base or sealing washer |
| | | push rod is too long | Adjust the length of push rod |
| 2 | Flush volume too large/small | Improper setting of half flush float and full flush volume slider. | Reset the position of half flush float and full flush volume slider. |
| 3 | Flush no water or little water | Push rod is too short. | Adjust the length of push rod |

2. Fill valve

| No. | Issues | Possible Reasons | Solutions |
|-----|--|---|---|
| 1 | Valve does not fill the tank | Supply line jamed or floats is held up in water stopping position | Clean debris in supply line, adjust the float position |
| 2 | Tank fills too much or only partially | Inproper position of floats | Turn the adjustment screw by hand or with screw driver, move the float to the properly. The higher the float is, the higher the water level is. |
| 3 | Inlet hole leaks | Inlet nut is loose or the ceramic hole is deformed. | Tighten the inlet nut or repair the ceramic toilet. |
| 4 | Takes too long/short time to fill the tank | The pressure of supply line is too low/high. | Adjust the pressure of supply line |

Please keep the instruction for future use.

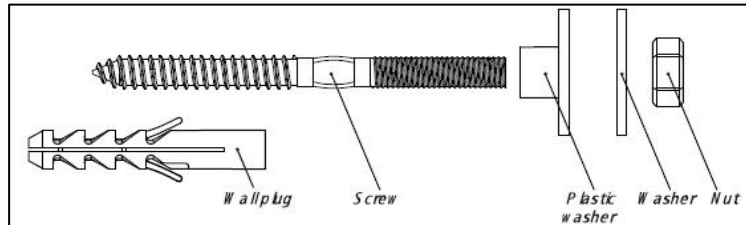
Products may be amended in line with continuous improvement, please refer to actual product.

Basin Wall Hung and Pedestal Mounted Installation and Maintenance

PLEASE READ THIS INSTRUCTION GUIDE FULLY PRIOR TO COMMENCING ANY PART OF THE INSTALLATION

IMPORTANT ! - This is a suggested method of installation to a solid wall, if the wall type is different you will require a different fixing type
(Fixings not supplied)

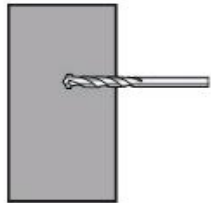
Before commencing any installation check for wires and pipes will not be damaged during drilling
Please refer to page 2 if fitting with a pedestal basin



1

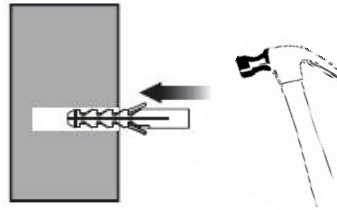
Offer the basin to the wall, checking the basin is level.

Drill the wall in the required location.
If drilling into tile, it is recommended to tape the wall in the area to be drilled to prevent slipping



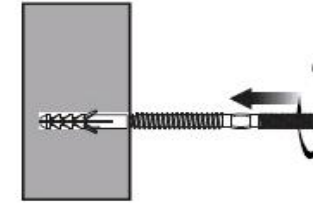
2

Insert the wall plug into the drilled hole
tap the plug to the finished wall surface



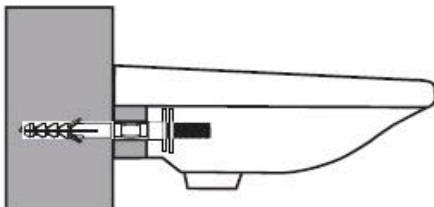
3

Insert the fixing bar and tighten into the wall using a spanner or grips



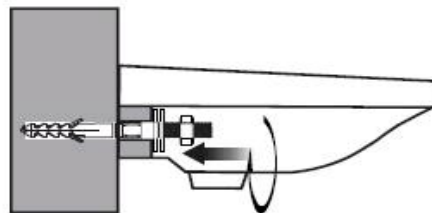
4

Place the washers over the fixing bar as shown in the parts drawing, above



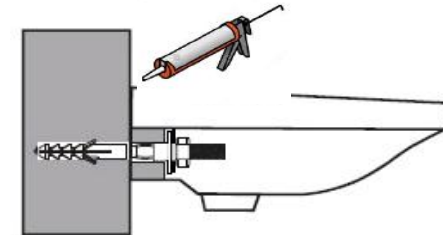
5

Connect the nut and tighten into position using a spanner



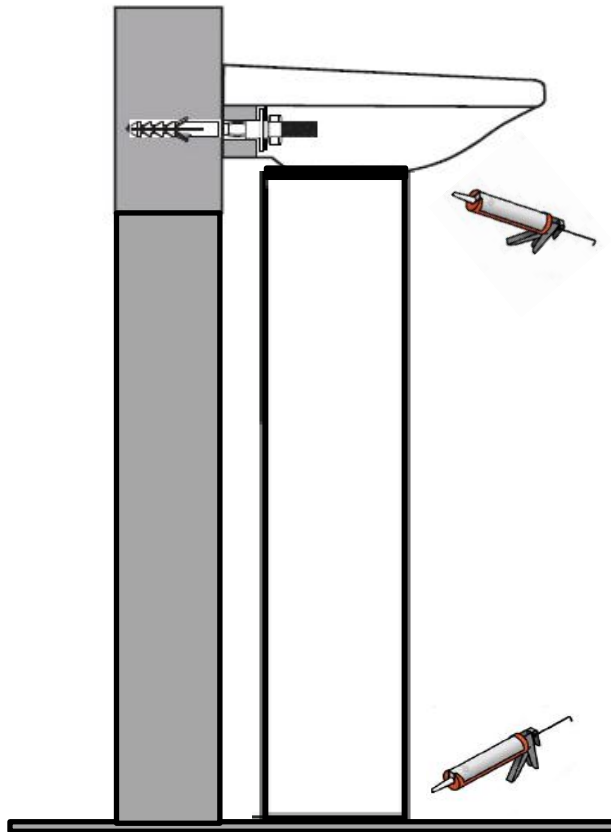
6

Check basin is stable, seal along the back edge
Leave to dry for at least 24 hours



Basin Wall Hung and Pedestal Mounted Installation and Maintenance

PLEASE READ THIS INSTRUCTION GUIDE FULLY PRIOR TO COMMENCING ANY PART OF THE INSTALLATION



When installing the basin on a pedestal, place the pedestal in the required location. Place the basin onto the pedestal and align so level and central. Once aligned mark the drill holes through the holes in the back of the basin. Remove the basin and pedestal and carry out steps 1, 2 and 3 from above. Relocate the basin and pedestal, so the basin slots over the fixing bars. Carry out steps 4, 5 and 6.

Once installation is complete and the basin is secured, seal the basin and pedestal. Seal between the underside of the basin bowl and the top edge of the pedestal. Seal along the front bottom edge of the pedestal.

To maintain the surface finish of your product, wipe clean after every use, using a clean damp cloth, a mild detergent mixture can be used. Do not use abrasive cleaning agents/materials which can strip and scratch the surface, use of these agents/materials can invalidate your guarantee
BASIN W/P - V1 - APR 19



INSTALLATION INSTRUCTION



Insert the screw on the hinge base into the holes on the pan.



Tighten the setscrew but not to the end in order to adjust the seat cover properly.



Aim at the holes and adjust the hinge base to make the seat cover and pan match.



Fix the hinge base on the pan firmly.



Put the cap into the hinge base. Fix the seat cover into the hinge base, Finish.



Press the button and remove the seat cover for cleaning.

Remind:

To clean this seat, do not use abrasive cleaning agents or materials, simply wipe clean with a soft damp cloth and a mild detergent.

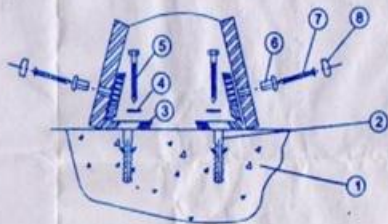
Use of abrasive cleaning agents and materials will invalidate your guarantee.

Regular cleaning is necessary.

Installation installation

Please check if all the parts as shown in the figure are ready and is there any lack of the parts ,please contact your local suppliers.

| | |
|---|----------------------------|
| ① | flat concrete floor |
| ② | anchor |
| ③ | mounting bracket |
| ④ | washer |
| ⑤ | mounting bracket screw |
| ⑥ | washer |
| ⑦ | toilet bowl mounting screw |
| ⑧ | cap |



- 1.The toilet bowl should be installed on the flat concrete floor.
- 2.As shown figure,drilling holes on the floor and then insert the anchors②into the holes .Attach the mounting bracket③ with the washer④ and mounting bracket screw⑤.
- 3.Put on the toilet bowl,and insert the washer⑥ in the anchor hole of the toilet bowl ,then tighten the mounting screw⑦ to secure the toilet bowl and mounting bracket,then put on the cap⑧.
- 4.After installation,please check if the toilet bowl is firm or not,if not,please check again if all the parts are installed correctly.